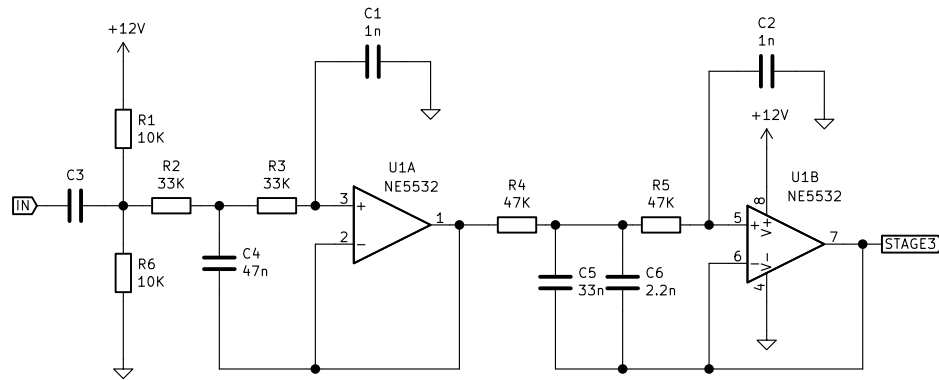


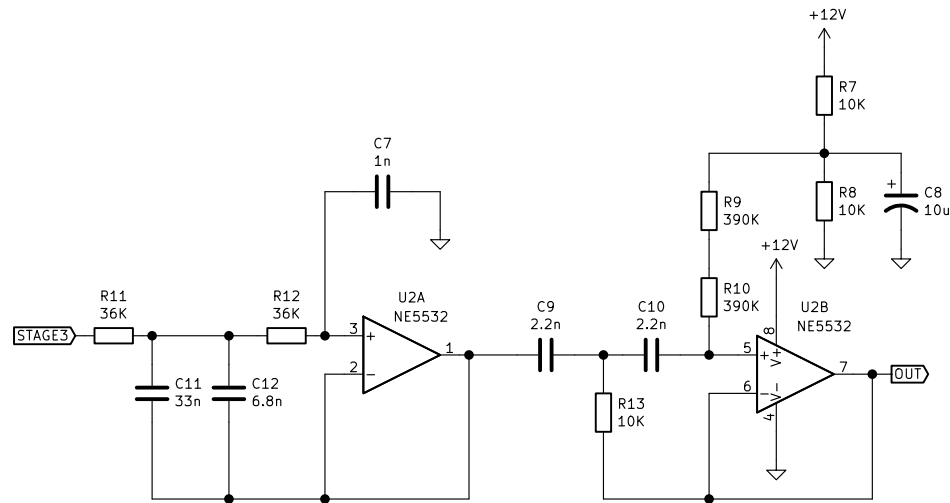
HI-PER-MITE CW filter
 designed by David Cripe, NM0S
<http://www.4sqrp.com/HiPerMite.php>

All four separate filters are Sallen-Key type



LPF, $F_0 = 703$ Hz, $Q = 3.42$

LPF, $F_0 = 570$ Hz, $Q = 2.97$



LPF, $F_0 = 700$ Hz, $Q = 3.15$

HPF, $F_0 = 1802$ Hz, $Q = 4.42$

Sheet: /	
File: Untitled.sch	
Title: HI-PER-MITE CW Filter ::: https://eax.me/hi-per-mite/	
Size: A4	Date: 2022-10-23
KiCad E.D.A. kicad (5.1.12-1-10_14)	Rev: Id: 1/1