

Sheet: Sheet1

File: sheet-1.sch

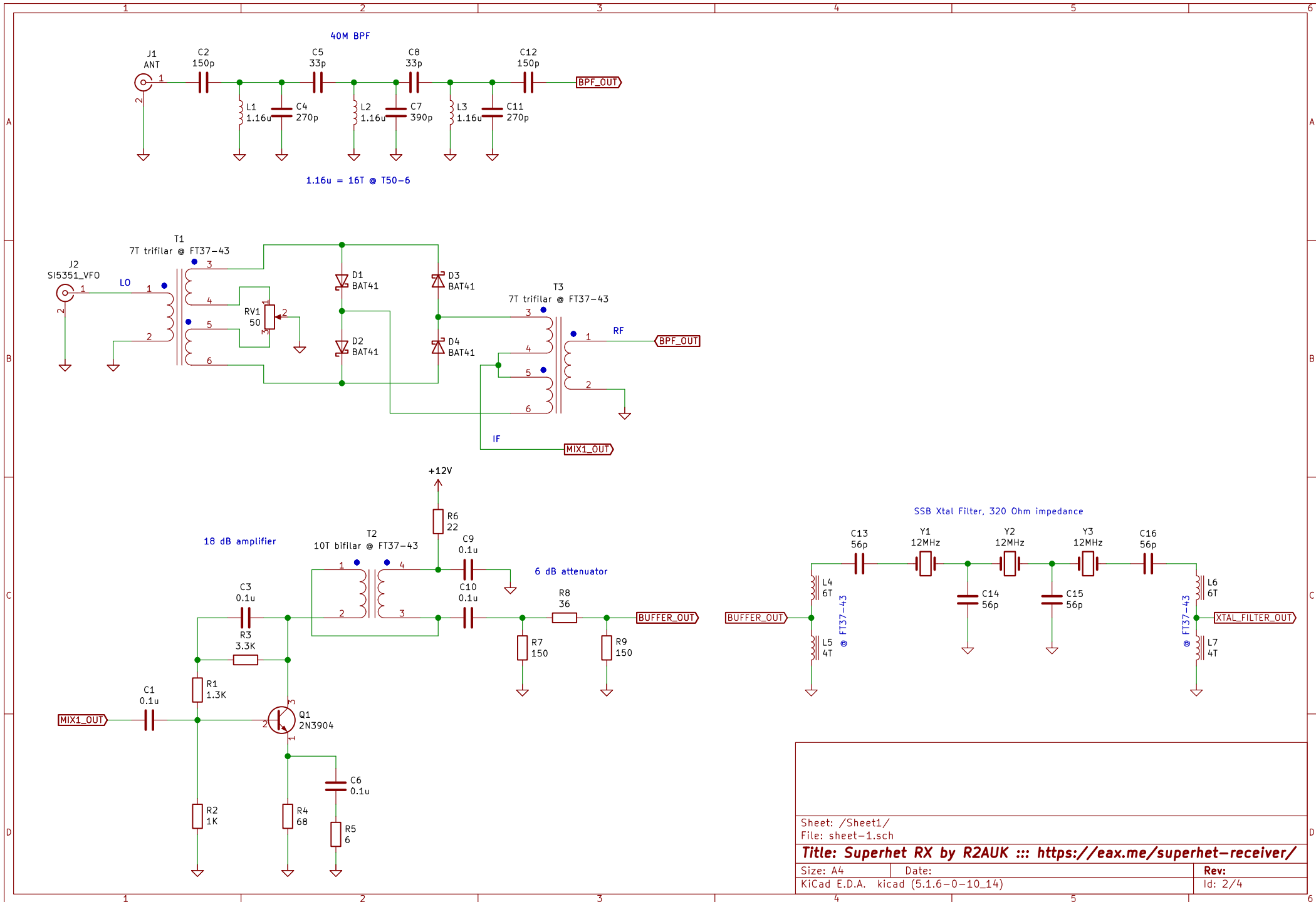
Sheet: Sheet2

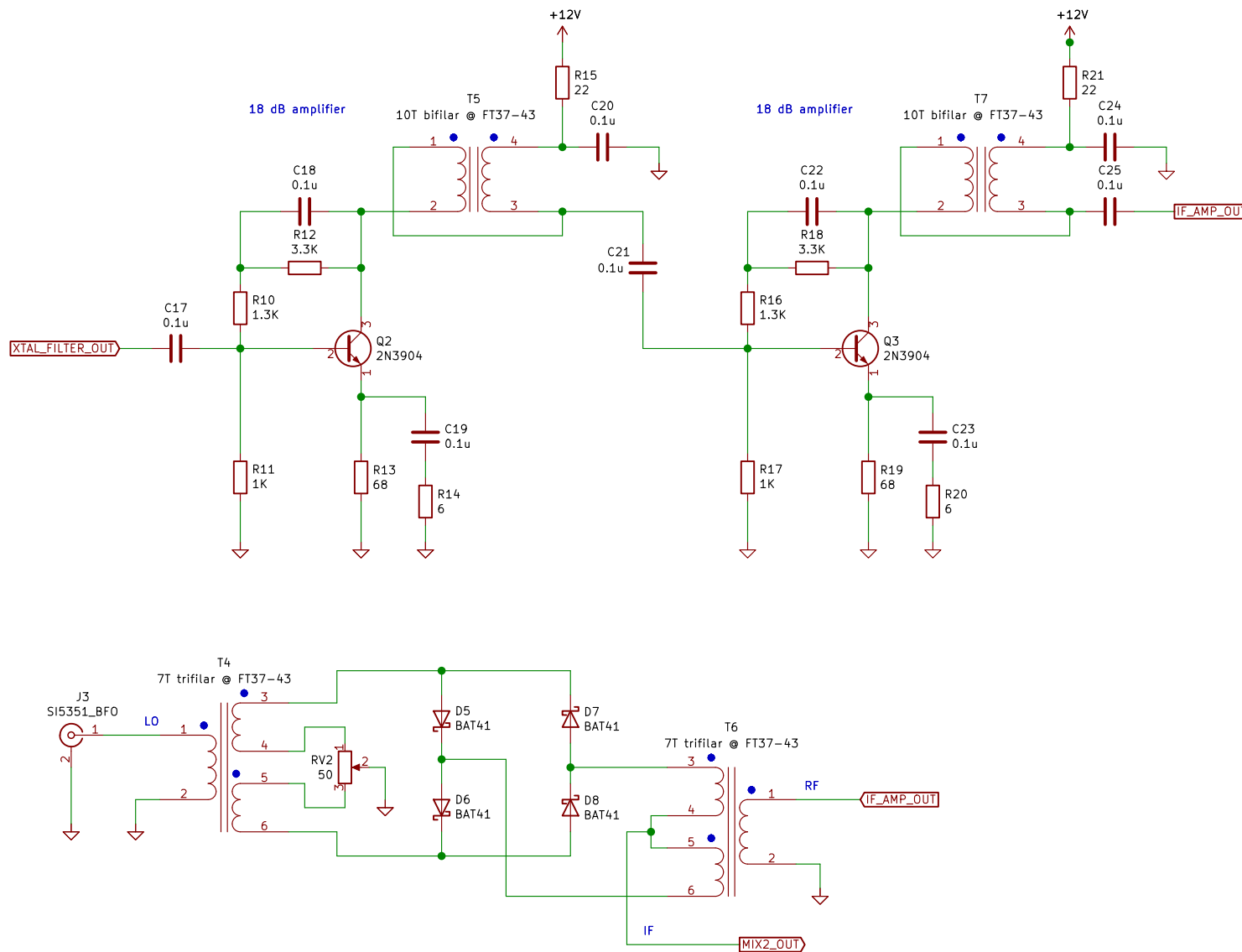
File: sheet-2.sch

Sheet: Sheet3

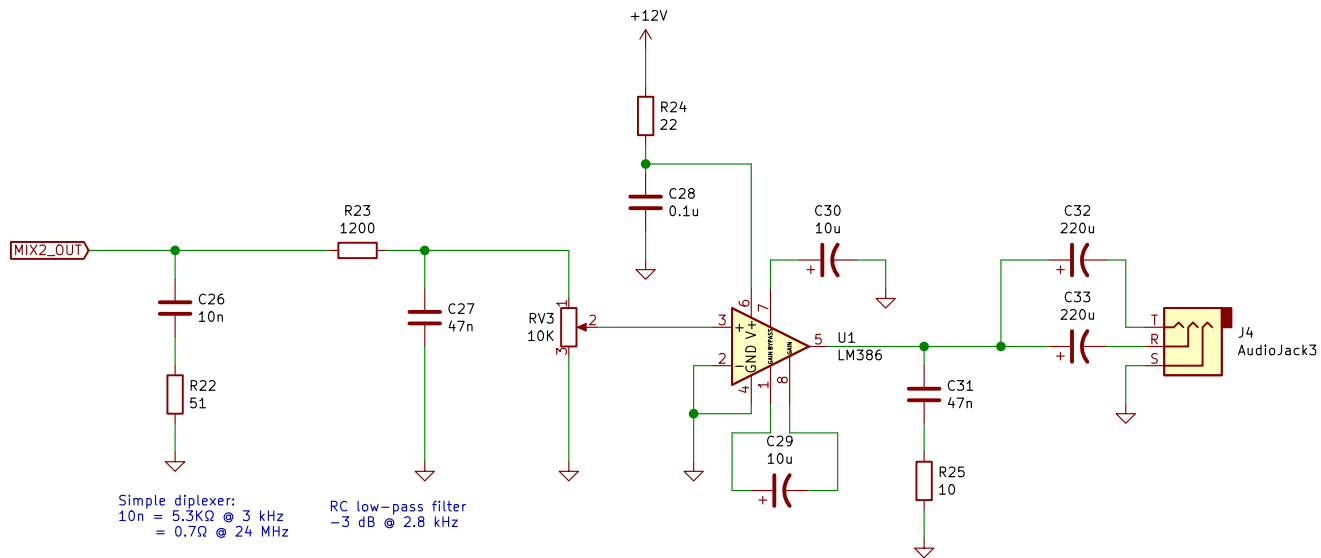
File: sheet-3.sch

Sheet: /		
File: 40m-superhet-receiver.sch		
<b>Title: Superhet RX by R2AUK ::: <a href="https://eax.me/superhet-receiver/">https://eax.me/superhet-receiver/</a></b>		
Size: A4	Date:	Rev:
KiCad E.D.A. kicad (5.1.6-0-10_14)		Id: 1/4





Sheet: /Sheet2/		Date:	
File: sheet-2.sch		Rev:	
<b>Title: Superhet RX by R2AUK ::: <a href="https://eax.me/superhet-receiver/">https://eax.me/superhet-receiver/</a></b>			
Size: A4	KiCad E.D.A. kicad (5.1.6-0-10_14)		Id: 3/4



Simple diplexer:  
 $10n = 5.3K\Omega @ 3\text{ kHz}$   
 $= 0.7\Omega @ 24\text{ MHz}$

RC low-pass filter  
 $-3\text{ dB} @ 2.8\text{ kHz}$

Sheet: /Sheet3/  
 File: sheet-3.sch

**Title: Superhet RX by R2AUK ::: <https://eax.me/superhet-receiver/>**

Size: A4  
 KiCad E.D.A. kicad (5.1.6-0-10\_14)

Date:  
 Rev:  
 Id: 4/4